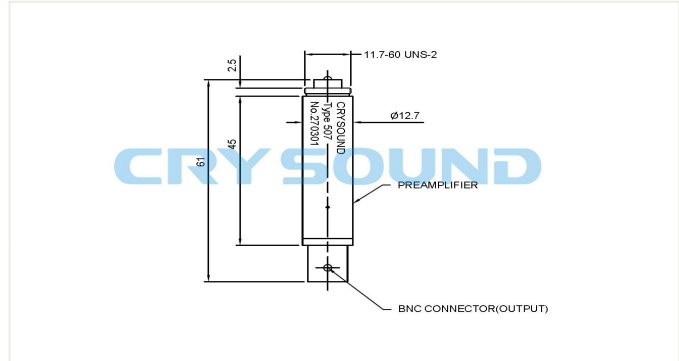


CRY507 Preamplifier



1/2", IEPE power supply, BNC port

CRY507 IEPE Preamplifier is powered by constant current source and featured by high input impedance, low noise floor, and a wide frequency response range. It can be used with CRY300 series 1/2" pre-polarization measurement microphones and is also compatible with other brands of measurement microphones, such as B&K and G.R.A.S. The output interface uses a BNC plug, which can be easily connected to the input terminal of a general instrument. This product is made of stainless steel, which gives it good toughness and makes it suitable for long-term storage. It is applicable to electroacoustic testers, multi-channel analyzers and the like.

Technique Specification

Specification

CRY507 Preamplifier	
Frequency Response range	20Hz-50KHZ(± 0.2 dB), 10 Hz - 100 kHz (± 0.5 dB)
Input impedance	>10 G Ω / 0.5 pF
Output impedance	<20 Ω
Distortion factor (THD)	<0.1%
Max. output voltage	>5.0 Vrms (+24 V available)
Power Supply Mode 1	IEPE (2 mA - 10 mA)
Noise (A-weighted)	<3 μ Vrms
Noise, linear (20 - 20 kHz)	<10 μ Vrms
Gain	-0.3dB
Port type	BNC
Applicable temperature range	-30 $^{\circ}$ C ~ +70 $^{\circ}$ C
Thread interface	11.7mm x 60UNS (M11.7 \times 0.423mm)
Diameter	12.7mm (1/2")
Length	61mm